

1 Install the Commander Touch™ Display Controller

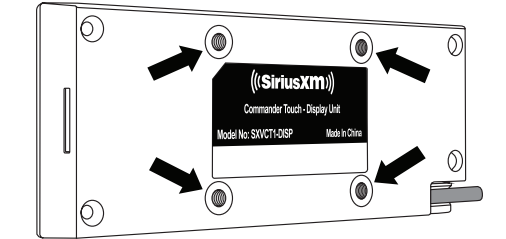
The Commander Touch Display Controller can be mounted in a variety of ways. It can be adhered to a dash surface using double sided tape, hook and loop tape (not included), or directly attached to a dash surface using the included screws. The Display Controller has a standard AMPS mounting pattern on the back which is compatible with many other types of mounting solutions designed for vehicles, such as a suction cup windshield mount, a pedestal mount, a dash mount, a vent clip mount, etc; consult your retailer or installer. Depending on your vehicle you may also be able to use the included Flush Mount for a more integrated look.

The Commander Touch includes a flush mount installation option which requires cutting an opening in the dash or console of the vehicle which may or may not be suitable for your specific vehicle. A professional installer will know if flush mounting is a suitable mounting solution for your vehicle, or can recommend other installation options that are tailored to your specific vehicle, including custom designing an installation solution. Please read through this Quick Start Guide before making the decision to install the Commander Touch yourself. SiriusXM recommends professional installation.

NOTE! The installation shown in this Quick Start Guide is for the flush mounting option included with the Commander Touch. Self installation instructions and tips are provided for your convenience. It is your responsibility to determine if you have the knowledge, skills and physical ability required to properly perform an installation. SiriusXM shall have no liability for damage or injury resulting from the installation or use of any SiriusXM or third party products. It is your responsibility to ensure that all products are installed in adherence with local laws and regulations and in such a manner as to allow a vehicle to be operated safely and without distraction. SiriusXM product warranties do not cover the installation, removal or reinstallation of any product. SiriusXM recommends professional installation of this product.

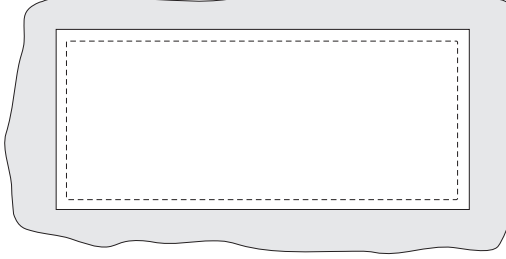
Installing the Commander Touch Display Controller Using the Flush Mount

- A.** Locate a suitable place in your dash or center console for installing the Flush Mount. The Flush Mount requires an opening of 48 mm high x 110 mm wide, and an approximate clearance behind the dashboard or console of 25 mm depth to accommodate the Mounting Brackets. Avoid any location which will block or interfere with an airbag, or a location which interferes with the safe operation of the vehicle.
- B.** A template is available online to assist in cutting the opening. Go to siriusxm.ca/userguides and download and print the template. Place the template on the area selected and carefully cut the opening, following the outline on the template.
- C.** Once the opening has been cut, remove the template and place the Flush Mount in the opening. The Flush Mount is asymmetrical so the top/bottom orientation is not important.
- D.** Bend each of the two Mounting Brackets into a U shape.
- E.** Attach the Mounting Brackets to the rear of the Flush Mount, using the provided 4 screws. Position the legs of the Mounting Brackets against the inside of the dash or console surface and tighten the screws. Note that you may need to bend or cut the ends of the mounting brackets depending on the specific application.
- F.** Once the Flush Mount is secured in place, insert the Commander Touch Display Controller into the Flush Mount. First, route the cable from the left side of the Display Controller into the opening at the bottom left of the Flush Mount, and then gently press the Display Controller into the Flush Mount, left side first and then the right side. It will snap into place.*
- G.** Route the cable from the Display Controller to the place behind the dash or center console where you plan to install the Tuner Module. (Refer to the next step.)

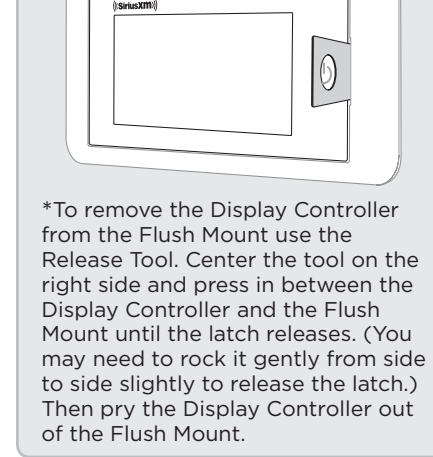
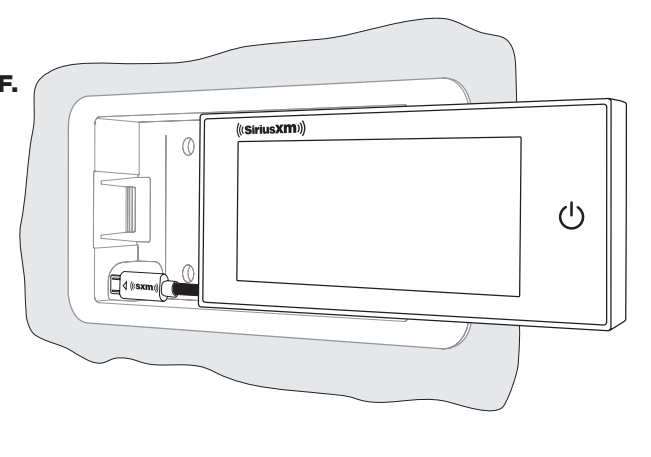
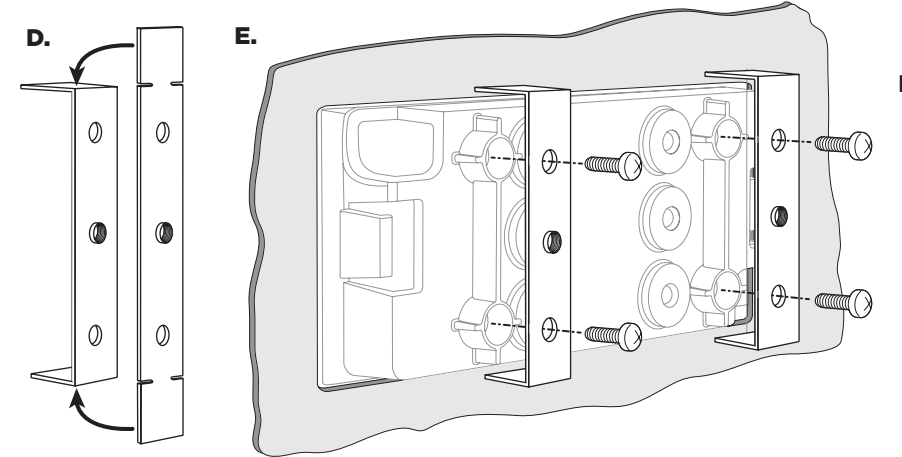
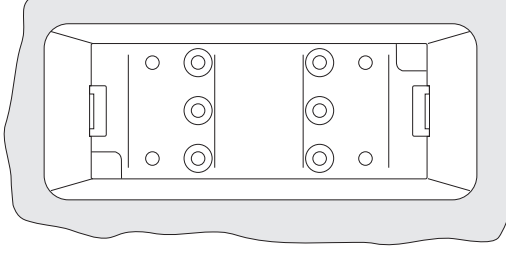


AMPS mounting pattern on the rear of the Commander Touch Display Controller for alternate mounting solutions

A. - B.



C.

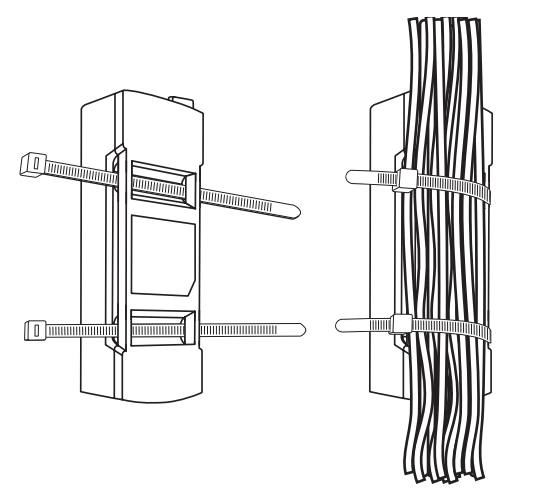
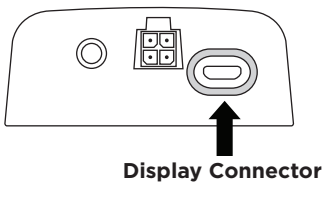


*To remove the Display Controller from the Flush Mount use the Release Tool. Center the tool on the right side and press in between the Display Controller and the Flush Mount until the latch releases. (You may need to rock it gently from side to side slightly to release the latch.) Then pry the Display Controller out of the Flush Mount.

2 Install the Commander Touch Tuner Module

The Commander Touch Tuner Module should be installed and secured behind the dash or center console using wire ties (not included). Keep in mind that you will need to route several cables to the Tuner Module, so allow enough clearance for the cable connections.

- A.** Find a location for the Tuner Module with suitable clearance for the cable connections.
- B.** Thread the wire ties through the molded brackets on the underside of the Tuner Module as shown. Secure the Tuner Module to a bracket or wiring harness using the wire ties. Avoid brackets with sharp edges and any moving parts such as gas, clutch, and brake pedals.
- C.** Connect the cable from the Display Controller to the **DISP** connection on the Tuner Module.



3 Install the Magnetic Mount Antenna and Route the Antenna Cable

Proper placement of the Magnetic Mount Antenna is very important. Consult a professional installer if you are uncomfortable with installing the antenna yourself. More detailed installation instructions and illustrations can be found at siriusxm.com/installation and clicking on the **XM Vehicle Installation** link.

- Place the Magnetic Mount Antenna on the outside of your vehicle on a horizontal surface that always faces the sky
- Avoid placing the antenna near obstacles that could block a clear view of the sky (such as roof racks, other antennas like AM/FM, cellular, and GPS), preventing the satellite signal from reaching the antenna

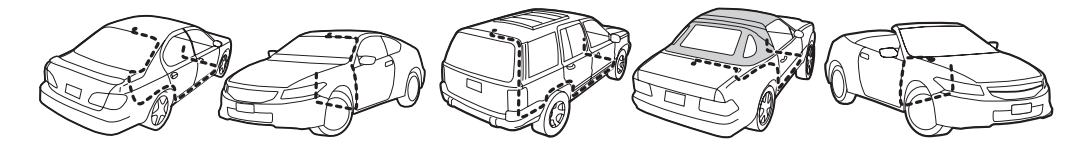
Select the Best Location for the Magnetic Mount Antenna

For most vehicles the best location is on the roof, centered above the rear window or front windshield. Consult a professional installer to find an alternate antenna mounting location if your vehicle roof is made from a non-magnetic material such as aluminum, fiberglass, or carbon fibre. Clean the area where you are mounting the antenna with the alcohol preparation pad.

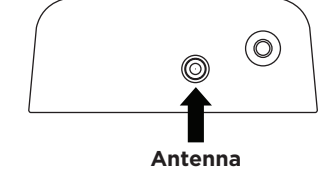
- **Sedan or Coupe:** Recommended mounting location is above the rear window or front windshield
- **Pickup or SUV:** Recommended mounting location is above the front windshield
- **Convertible:** Recommended mounting location is above the front windshield, or alternately on the trunk lid, on the front hood, or on top of the front fender

Route the Antenna Cable

- A.** Use care when routing the antenna cable into and through the vehicle interior, avoiding sharp objects that can damage the cable. Keep the antenna cable away from moving parts such as gas, clutch, and brake pedals, trunk and door hinges, and sliding seat brackets.



- B.** Hide the antenna wire inside the vehicle cabin by routing the cable under the carpet and behind plastic trim, toward the Tuner Module location. Coil and secure any excess cable in a hidden location, such as under the carpet, using wire ties (not included). **CAUTION!** Do not kink or sharply fold the antenna cable.



- C.** Connect the antenna connector to the **ANT** connection of the Tuner Module. **Note:** Use only SiriusXM approved antennas.

- 1.** Feed cable under rubber moulding around window.
- 2.** Route cable out of window moulding and into the weatherstripping around trunk opening.
- 3.** Route cable along trunk wall and into cabin.
- 4.** Route cable from trunk under interior trim, into cabin and towards front of vehicle.
- 5.** Bring cable out from trim and route under carpet and behind the dash or center console. Coil and secure excess cable under carpet or behind dash.

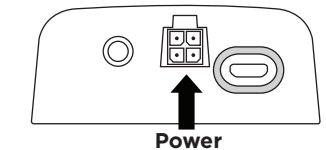
4 Install the Wiring

Refer to the wiring diagram on the right and install the Power Wiring Harness, and the AUX In or FM Input audio connection.

Install the Power Wiring Harness

The wiring harness has 4 wires: **BAT** (battery, yellow); **ACC** (accessory, red); **ILL** (illumination, orange); **GND** (ground, black). When installing the harness, keep the fuse holder which is connected to the **BAT** wire in a location that is accessible in case the fuse ever needs to be replaced.

- A.** Plug the Wiring Harness connector to the **PWR** connector on the Tuner Module.
- B.** Route and connect the **BAT** yellow wire to a constant 12 volt source, a source which is always on even when the vehicle is turned off.
- C.** Route and connect the **ACC** red wire to a switched 12 volt source, a source which provides power only when the vehicle is turned on. This should be tied to the vehicle's accessory wire.
- D.** Route and connect the **ILL** orange wire to a 12 volt source which is on when the vehicle exterior parking or headlights are turned on. Connection to the **ILL** wire is optional but it will allow you to take advantage of the independent Auto Day/Night brightness setting option.
- E.** Route and connect the **GND** black wire to the vehicle ground connection, usually the vehicle's metal chassis. A lug is provided so that it can be secured to the chassis with a screw or existing bolt.



Install the Audio Connection

There are two ways to connect the audio for the Commander Touch: using the AUX Audio Cable, or using the FMDA25 FM Direct Adapter. Both audio connection solutions are included with the Commander Touch, and both audio solutions can be active at the same time.

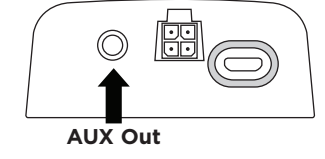
- **AUX Audio Cable:** Best: If your vehicle's radio has a auxiliary input jack, this is the easiest way to connect the audio and provides excellent audio. Continue with the steps below to connect the audio using the AUX Audio Cable.
- **FMDA25 FM Direct Adapter:** Good: The FMDA25 FM Direct Adapter directly connects the FM signal from the Commander Touch to the vehicle's radio, reducing any interference which might be present from FM radio stations. When the Commander Touch is turned off, the vehicle's FM antenna is automatically connected back to the vehicle's radio. The FMDA25 FM Direct Adapter connects directly in-line with the vehicle's existing AM/FM antenna input.

Follow the instructions below for the audio connection you have selected.

Connecting the Audio Using the AUX Audio Cable

The auxiliary input jack may be located on the face plate of the vehicle's radio, on the back of the radio, anywhere on the front dash panel, inside the glove compartment, or inside the center console in between the front seats.

- A.** Connect the AUX Audio Cable to the auxiliary input jack of the vehicle radio.
- B.** Connect the other end of the AUX Audio Cable to the **AUX** connector on the Tuner Module.
- C.** Turn the vehicle's radio on, and set it to the AUX In source.
- D.** Press the Power button on the Commander Touch Display Controller. After the start up sequence you should hear SiriusXM Preview Channel 1 through your vehicle's radio.
- E.** The audio level can be adjusted by swiping to the **Settings** page, tap **Audio Level**, then tap **Audio Output Level** and adjust the audio output level.



The installation is complete and you are now ready to activate your Commander Touch. Continue with step 5 on the opposite side.

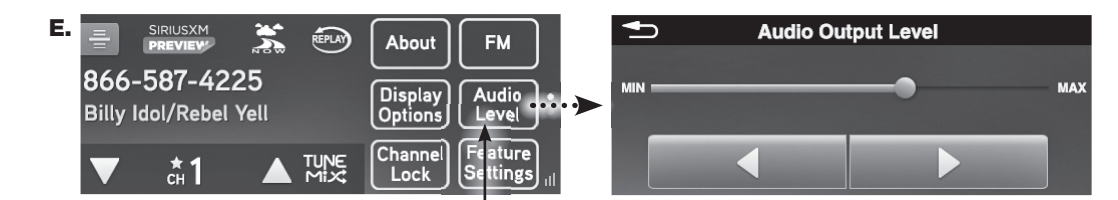
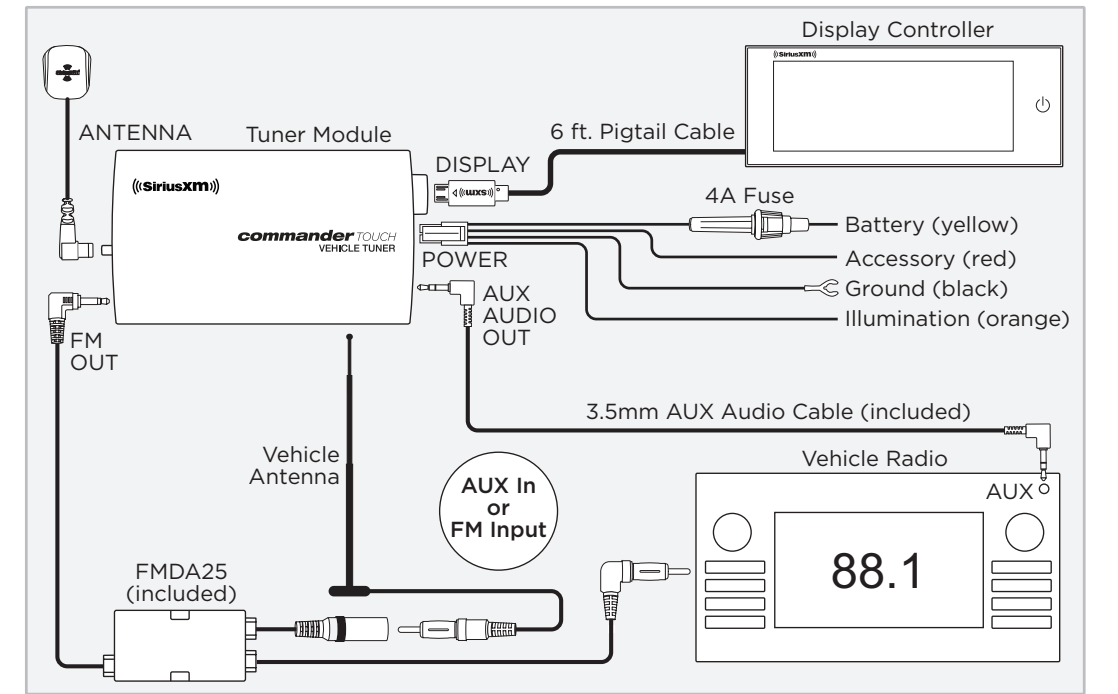
Connecting the Audio Using the FMDA25 FM Direct Adapter

Certain vehicle models will require adapters to connect the vehicle's AM/FM antenna to the FMDA25, and to connect the FMDA25 to the vehicle's radio. These adapters are sold separately by most professional installers.

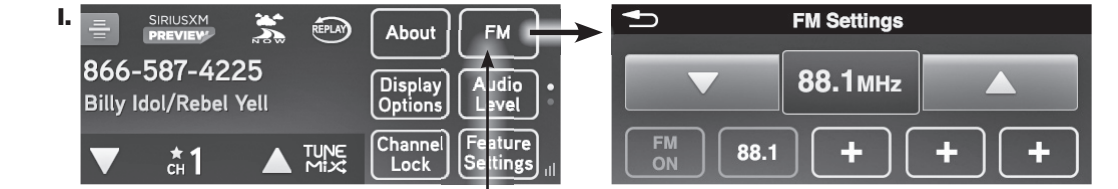
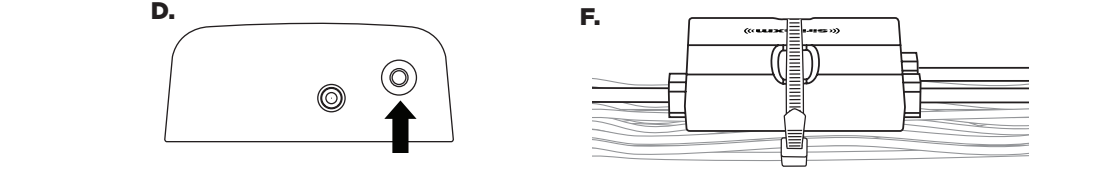
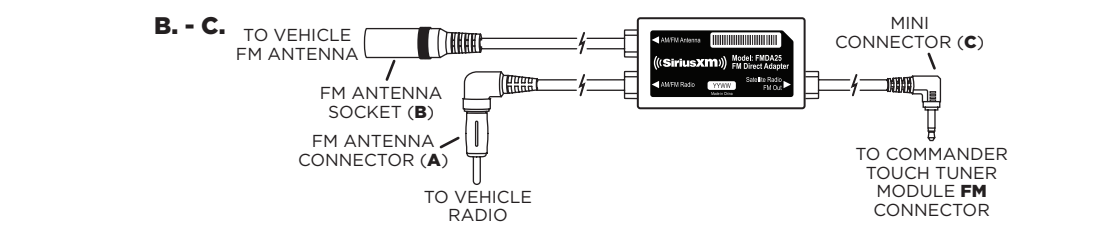
- A.** Remove the vehicle's radio from the dash and disconnect the AM/FM antenna cable from the rear of the vehicle's radio.
- B.** Plug the **FM Antenna Connector (A)** from the FMDA25 into the same connector on the vehicle's radio. (Additional antenna adapter may be required.)
- C.** Plug the vehicle's AM/FM antenna cable into the female **FM Antenna Socket (B)** of the FMDA25. (Additional antenna adapter may be required.)
- D.** Plug the **Mini Connector (C)** of the FMDA25 into the **FM** connection of the Tuner Module.
- E.** Reinstall the vehicle's radio into the dash.
- F.** The FMDA25 should be secured behind the vehicle's radio location or under the dash using a wire tie (not included). Wrap the wire tie around the molded indents of the FMDA as shown to prevent the FMDA25 from slipping, and secure the FMDA25 to a bracket or wiring harness using the wire tie. Avoid brackets with sharp edges and any moving parts such as gas, clutch, and brake pedals.
- G.** Turn the vehicle's radio on, and tune it to FM channel 88.1.
- H.** Press the Power button on the Commander Touch Display Controller. After the start up sequence you should hear SiriusXM Preview Channel 1 through your vehicle's radio.
- I.** The audio level can be adjusted by swiping to the **Settings** page, tap **Audio Level**, then tap **Audio Output Level** and adjust the audio output level. Refer to the display screens labelled **E.** at the center-right.
- J.** If channel 88.1 has static or interference, other FM channels can be selected by swiping to the **Settings** page, tap **FM** and adjust the FM channel. Tap a **+** button to save it as a preset. Set the vehicle's radio to the same FM channel.

The installation is complete and you are now ready to activate your Commander Touch. Continue with step 5 on the opposite side.

Commander Touch Wiring Diagram



Swipe left or right to Settings page and tap **Audio Level**. Tap **Audio Output Level** and then adjust the audio output level.



Swipe left or right to Settings page and tap **FM**. Change the FM Channel

QUICK START GUIDE



Commander Touch™ VEHICLE RADIO



Self installation instructions and tips are provided for your convenience. It is your responsibility to determine if you have the knowledge, skills and physical ability required to properly perform an installation. SiriusXM shall have no liability for damage or injury resulting from the installation or use of any SiriusXM or third party products. It is your responsibility to ensure that all products are installed in adherence with local laws and regulations and in such a manner as to allow a vehicle to be operated safely and without distraction. SiriusXM product warranties do not cover the installation, removal or reinstallation of any product.

Sirius XM Canada Inc.
400-135 Liberty Street
Toronto, ON M6K 1A7
1-888-539-7474

siriusxm.ca

5 Subscribe

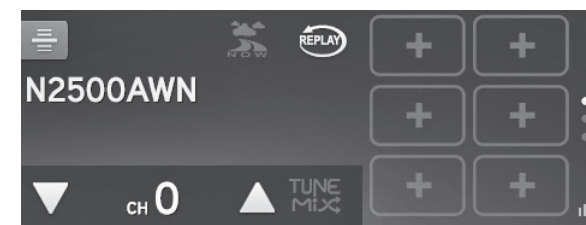
Follow these steps to subscribe your Commander Touch. Once you have successfully activated the Commander Touch, you will be able to tune to other channels.

- Make sure your Commander Touch is turned on, receiving the SiriusXM signal, and tuned to Preview Channel 1 so that you can hear the SiriusXM audio.
- Make a note of your Radio ID. You can find it by swiping to **Settings** and tapping **About**, by tuning to channel 0, on a label on the bottom of the gift box, and on the label on the back of the Commander Touch Tuner Module.

NOTE: The Radio ID does not use the letters I, O, S, or F.

- To subscribe: See **Important Legal Information in this Quick Start Guide** (below, right). Then:
 - Online: Go to siriusxm.ca/activate to access or set up an online account, subscribe to the service, and activate your Commander Touch.
 - OR
 - By phone: Call 1-888-539-7474.

Activation usually takes 10 to 15 minutes after you have completed the subscription process, but may take up to an hour. We recommend that your Commander Touch remain on until subscribed. Once subscribed, the Commander Touch will receive and you can tune to the channels in your subscription plan.

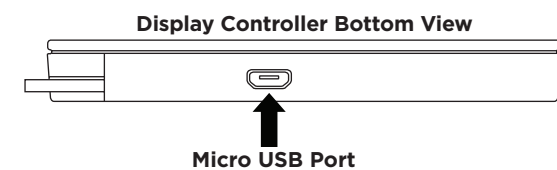


Updating the Commander Touch Software

SiriusXM may occasionally release a system software update for Commander Touch. The update can be installed by connecting a USB Flash Drive with the software update to the micro USB port located at the bottom of the Display Controller.

A micro USB Flash Drive or a USB type A Flash Drive with a USB type A to Micro USB Adapter is required (not included).

Refer to the User Guide for detailed instructions for updating the system software. The User Guide is available at siriusxm.ca/userguides.



SiriusXM 12-Month Limited Warranty

What This Warranty Covers

This warranty covers defects in material and workmanship for 12 months from the date of purchase by the original retail purchaser only. Sirius XM Radio Inc., at its sole option, will repair or replace the product with a new or reconditioned product without charge for parts and labor. Products replaced under this warranty become the property of SiriusXM. Replacement products are warranted to be free from defects for 30 days or the remainder of the original warranty, whichever is longer.

What This Warranty Does Not Cover

This warranty does not cover: products sold as used, as is, reconditioned or refurbished; software stored on internal or removable memory; non-rechargeable batteries; surface preparation cleaners, adhesive pads, fasteners, and ear-buds; costs incurred for installation, removal or reinstallation of the product; correction of installation problems, such as elimination of externally generated static or noise and antenna placement and aiming; defects or damage caused by alteration, improper installation or removal, use of third party accessories, mishandling, misuse, neglect, accident, power surges or acts of nature.

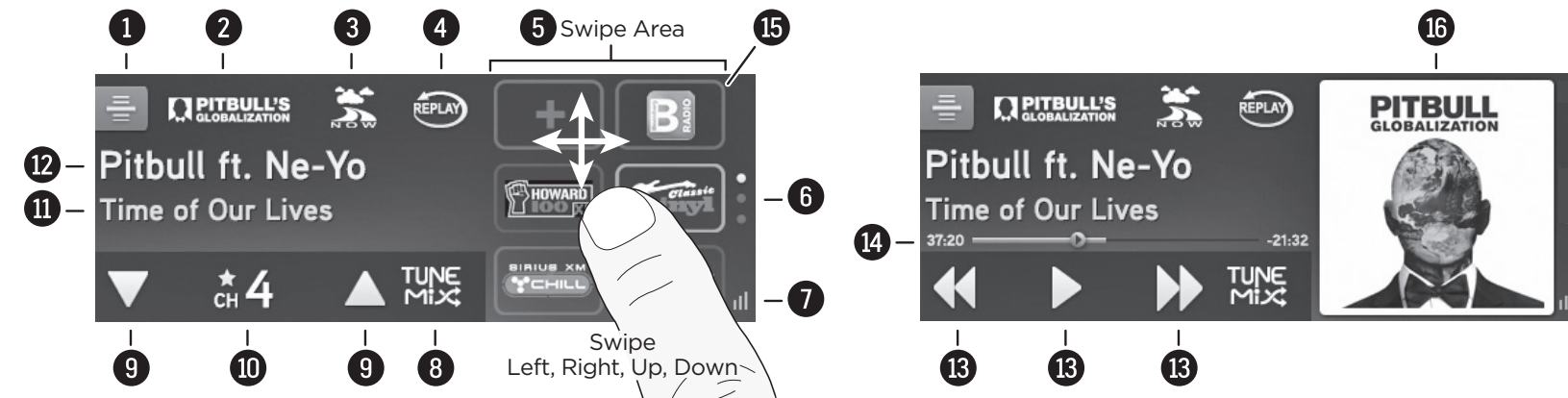
How to Obtain Warranty Service

To obtain warranty service, please call SiriusXM Listener Care at 1-888-539-7474. You will be required to provide proof of purchase and a description of the defect. You must prepay the cost of shipping the product to an approved service center.

LIMITATIONS OF LIABILITY

THE LIABILITY OF SIRIUSXM UNDER THIS WARRANTY IS LIMITED TO REPAIR OR REPLACEMENT AS PROVIDED ABOVE AND IN NO EVENT SHALL THE LIABILITY EXCEED THE PURCHASE PRICE PAID FOR THE PRODUCT. ANY IMPLIED WARRANTIES, INCLUDING ANY IMPLIED WARRANTY OF MERCHANTABILITY OR FITNESS FOR A PARTICULAR PURPOSE, SHALL BE LIMITED TO THE DURATION OF THIS WRITTEN WARRANTY. ANY ACTION FOR BREACH OF WARRANTY, INCLUDING BREACH OF ANY IMPLIED WARRANTY OF MERCHANTABILITY, MUST BE BROUGHT WITHIN 48 MONTHS FROM THE DATE OF ORIGINAL PURCHASE. IN NO CASE SHALL SIRIUSXM BE LIABLE FOR ANY CONSEQUENTIAL OR INCIDENTAL DAMAGES FOR BREACH OF THIS OR ANY OTHER WARRANTY, EXPRESS OR IMPLIED. SOME STATES DO NOT ALLOW LIMITATIONS ON HOW LONG AN IMPLIED WARRANTY LASTS OR THE EXCLUSION OR LIMITATION OF INCIDENTAL OR CONSEQUENTIAL DAMAGES, SO THE ABOVE LIMITATIONS OR EXCLUSIONS MAY NOT APPLY TO YOU. This warranty gives you specific legal rights and you may also have other rights, which vary from state to state.

Main Display Screen



- Channel/Category List. Tap for a list of channels with channel content.
- Channel Logo.
- Traffic and Weather Now. Tap and hold to select a city near you. Tap for a traffic and weather report; tap again to exit report. (Icon is blue when a new traffic and weather report is available.)
- Pause and Replay. Tap to display the Pause and Replay controls and tap again to display channel controls. Tap and hold to jump to live.
- Swipe Area. Swipe left and right to change content, or up and down to scroll through content pages. Tap to select a button icon or items displayed in the swipe area. Content which can be displayed are: Favorite Channels (shown); Album or Content Art (shown); Replay List; and Settings.
- Indicates that additional pages are available for the currently displayed content. Swipe up or down to scroll pages.
- Satellite Signal Strength indicator.
- Tap to begin TuneMix. (First save at least two music channels as favorite channels to enable TuneMix.)

- Channel Up/Down. Tap \blacktriangledown to tune to previous channel or \blacktriangle to tune to next channel.
- Channel number and favorite page indicator. Tap to directly enter a channel number and tune to the channel. When shown, a star indicates the channel has been saved as a favorite channel.
- Song/Program Title, or Talk Show Schedule, or Game Time/Game Details.
- Artist Name, or Talk Show Host, or Sports Teams/Score.
- Pause and Replay Controls. Tap a control to Rewind, Play/Pause, and Fast-Forward.
- Pause and replay time bar shows current listening position behind live broadcast.
- Favorites pages. Save and select up to 18 favorite channels on 3 pages. Tap \star to save a channel as a favorite. Tap and hold to replace or delete a favorite channel.
- Album Art. Album cover art for the currently playing song, or content information for the channel.

- Replay List. A list of songs or talk program segments which have recently aired on the currently tuned channel.
- Settings (Page 1):
 - About:** Displays Radio ID and subscription status, software information, and allows a software update.
 - FM:** Turn the FM tuner on or off, adjust FM channels, and set preset FM channel presets.
 - Display Options:** Set the screen display mode and adjust day and night screen brightness.
 - Audio Level:** Adjust the audio output level. Audio level adjusts both AUX and FM outputs.
 - Channel Lock:** Lock/unlock channels. Also set and change the channel lock code.
 - Feature Settings:** Turn TuneStart, Traffic and Weather Now, and Audible Beep on or off. Set TuneMix to Bank or All Channels mode.
- Settings (page 2):
 - Signal Indicator:** Displays the satellite and terrestrial signal strength.
 - Power Options:** Adjust the delayed power off mode, and the Power button mode.
 - Factory Reset:** Reset the Commander Touch to the factory settings.
 - Demo Mode:** Turn the Demo Mode on or off, and manually start the Demo Mode.

For additional information and details for each of the Touch Commander features refer to the User Guide available at siriusxm.ca/userguides.

Specifications

Display Controller

Display Type	Full Color LCD
Input Operation	Capacitive Touch (single point)
Resolution	480 px x 180 px
Cable Length	6.5 ft (2 m)
Dimensions (WxHxD)	4.1 in x 1.69 in x 0.48 in (105 mm x 43 mm x 12.3 mm)

Tuner Module

Connections	Power, Display, Antenna, FM, AUX
Dimensions (WxHxD)	3.99 in x 2.23 in x 0.89 in (101.5 mm x 56.5 mm x 22.7 mm)

Antenna

Type	Magnetic Mount
Connector	SMB
Cable Length	23 ft (7 m)

Operating Requirements

Power	12v DC, 2A (MAX)
Fuse Type	4A glass type
Temperature	-4°F to 158°F (-20°C to +70°C)
Network Operation	XM Network Only

Important Legal Information

IMPORTANT NOTICE: REQUIRED SUBSCRIPTION

Hardware and subscription sold separately, and activation fee required. Other fees and taxes may apply. **Subscriptions governed by SiriusXM Customer Agreement; see www.siriusxm.com. Service automatically renews into the subscription Package you choose (which may differ from the Package which arrived with the Radio), for additional periods of the same length, and automatically bills at then-current rates, after any complimentary trial or promotional period ends. You must call us to cancel at 1-888-539-7474.** Fees and programming are subject to change.

IC Statement: This Class B digital apparatus complies with Canadian ICES-003. This device complies with Industry Canada license-exempt RSS standard(s). Operation is subject to the following two conditions: (1) this device may not cause interference, and (2) this device must accept any interference, including interference that may cause undesired operation of the device.

© 2016 Sirius XM Canada Inc. "Sirius", "XM" and all related marks and logos are trademarks of Sirius XM Radio Inc. and its subsidiaries. All other marks and logos are the property of their respective owners. All rights reserved. Certain features depend on subscription package.

? What's in the Box?

CAUTION: Do not attempt to install, activate, or adjust any of the setting options described in this Quick Start Guide unless your vehicle is parked in a safe location.

